
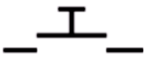


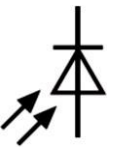


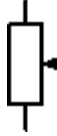


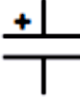

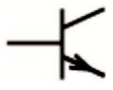
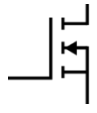




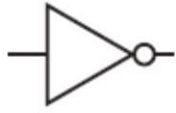

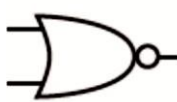
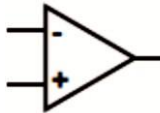
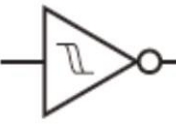







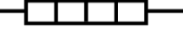

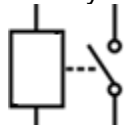

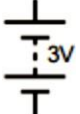

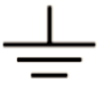

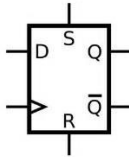
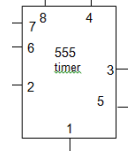
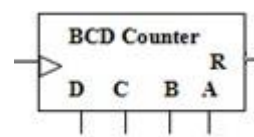
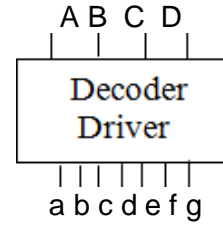
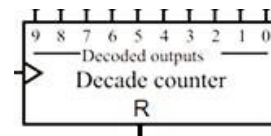
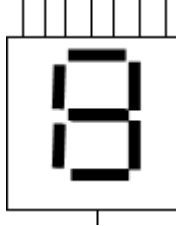


APPENDIX D

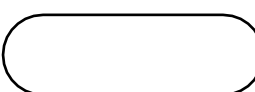
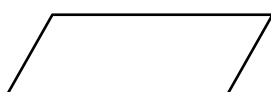
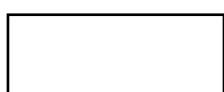
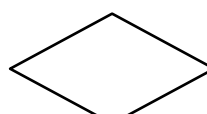
Electronic symbols

Learners should recognise and be able to use the following electronic symbols:

Switch (latching) 	Switch (non-latching) 	Light dependent resistor 	Thermistor 
Photodiode 	Microphone 	Variable resistor 	Potentiometer 
Resistor 	Capacitor 	Electrolytic capacitor 	Inductor 
NPN transistor 	N channel MOSFET 	Diode 	Zener diode 
AND gate 	OR gate 	NOT gate 	NAND gate 
NOR gate 	Op-amp 	Schmitt inverter 	Ammeter 
Voltmeter 	Buzzer 	Speaker 	Light emitting diode 
Signal lamp 	Filament lamp 	Heater 	Motor 
Relay 	Cell 	Battery 	AC supply 

<p>Earth</p> 	<p>Transformer</p> 	<p>D type flip flop</p> 	<p>555 timer</p> 
<p>Binary counter</p> 	<p>Decoder driver</p> 	<p>Decade counter</p> 	<p>7 segment display</p> 

Circles can be put on S and R inputs for D types, and on CK and R inputs for counters (or bars over the letters) when inverted.

<p>Terminator</p> 	<p>Input/output</p> 	<p>Process</p> 	<p>Decision</p> 
---	---	---	---